

EXTREME FORCE, HYDRAULIC CLASS ELECTRIC ACTUATORS

RSX

The RSX series high force electric actuators with planetary roller screws are designed for rugged service, long life and are an ideal choice for replacing hydraulic cylinders.



PLANETARY ROLLER SCREWS

- High positional accuracy $\pm 0.0102\text{mm}/300\text{mm}$ ($\pm 0.0004"/\text{ft.}$)
- Precision ground planetary roller screws
- High force with high dynamic load rating for long life

YOUR MOTOR HERE

- Motors and gearboxes up to 215 mm motor frame size

STEEL THRUST TUBE

- Steel thrust tube supports extremely high force capabilities
- Salt bath nitride treatment provides excellent corrosion resistance, surface hardness and is very resistant to adherence of potential contaminants

FIELD REPLACEABLE SEAL CARTRIDGE

- One piece assembly designed for easy field replacement

HEAVY DUTY CONSTRUCTION

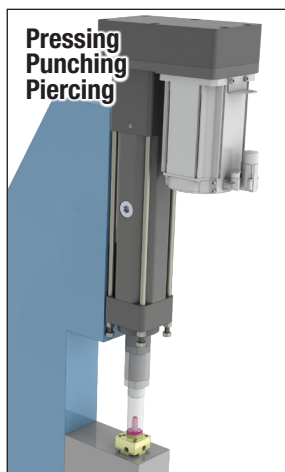
- All external component are Type III hardcoat anodized aluminum or zinc plated steel for rugged use and corrosion resistance

INTERNAL ANTI-ROTATE

- Composite bearings prevent rotation of the thrust tube

IP67 OPTION

- Resists water ingress 1 m deep for up to 30 minutes (static)



Applications:

- Assembly machinery
- Automotive
- Clamping
- Converting
- Cycle testing
- Hydraulic replacement
- Injection Molding
- Machine tools
- Motion simulators
- Piercing
- Pressing
- Punching
- Riveting/ fastening/ joining
- Sawmill equipment
- Stamping
- Test stands
- Tube bending
- Volumetric pumps
- Welding
- Wire winding
- and many more

Available Options:

RSX096 PRESS MODEL

Forces to 40,000 lbf (178 kN) in extend direction

Mounting

Mounting Plates; Front Flange; Trunnion Mount; Rear Clevis; Extended Tie Rods

Rod Ends

Rod Clevis

Sensors

With tie-rod mounting bracket

HIGH FORCE, HYDRAULIC CLASS ELECTRIC ACTUATORS

RSX

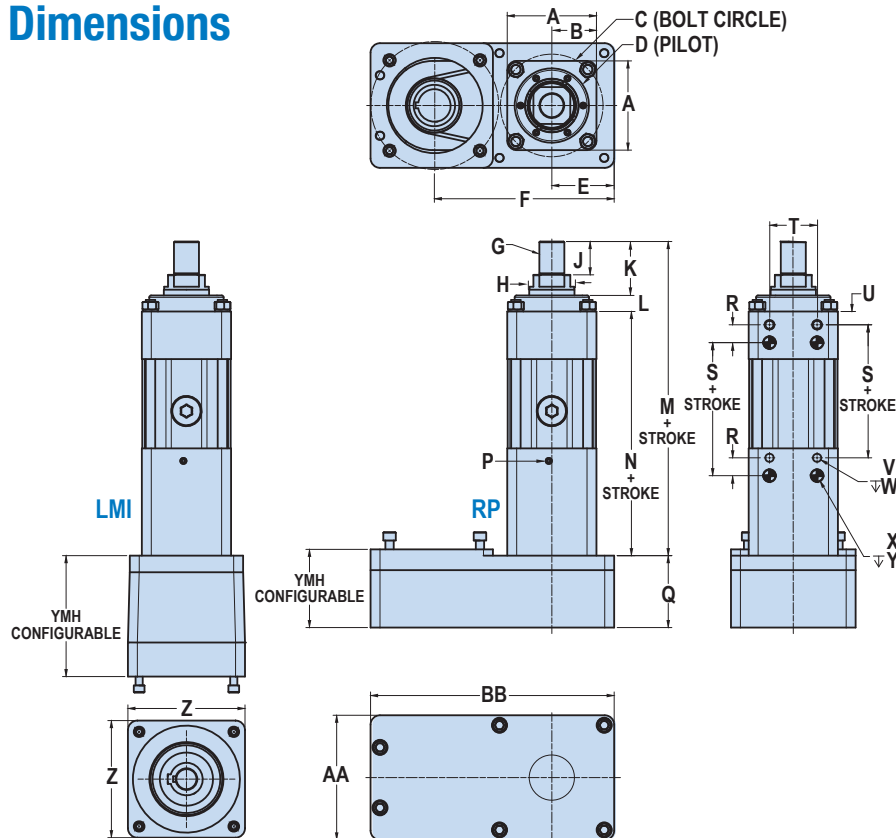
Specifications

RSX SIZE	MIN. STROKE mm	MAX. STROKE mm	SCREW CODE	SCREW LEAD mm/rev	LEAD ACCURACY mm/300mm	BACKLASH mm	PEAK FORCE kN	PEAK SPEED mm/sec	DYNAMIC LOAD RATING kN
080	75	1500	RN10	10.00	0.01	0.030	80.07	701	173.1
096	75	1500	RN12	12.00	0.01	0.030	133.4	759	269.3
096P	75	450	RN12	12.00	0.01	0.030	178	759	269.3
	in	in		turns/in	in/ft	in.	lbf	in/sec	lbf
080	2.95	59.06	RN10	2.540	0.0004	0.0012	18,000	27.6	38,914
096	2.95	59.06	RN12	2.117	0.0004	0.0012	30,000	29.9	60,530
096P	2.95	17.72	RN12	2.117	0.0004	0.0012	40,000	29.9	60,530

Trunnion option reduces max. stroke by 72.4 mm (2.85")



Dimensions



	080	096	080	096
A	135.0	150.0	RC 1/8	RC 1/8
B	67.5	75.0	-28 X	-28 X
C	150.00	171.0	38.1 DP	38.1 DP
D	110.00 (+0.00) (-0.03)	125.00 (+0.00) (-0.03)	(Plugged)	(Plugged)
E	88.9	104.8	Q	96.0 124.7
F	272.9	304.8	R	30.0 30.0
G	M36 x 3.0-6g	M42 x 4.5-6g	S	210.9 282.4
H₀	63.388 / 63.449	76.093 / 76.149	T	70.0 80.0
J	60.0	69.9	U	18.0 22.3
K	95.0	104.8	V	M12 x 1.75-6H
L	27.0	27.0	W	∇ 18.0 (4) ∇ 20.0 (4)
M	474.7	601.1	X	16.025 20.025
N	352.7	469.2	Y	∇ 15.0 (4) ∇ 15.0 (4)
			Z	152.4 196.9
			AA	177.8 209.6
			BB	35.6 409.6

Dimensions in millimeters



COMPANY WITH
QUALITY SYSTEM
CERTIFIED BY DNV GL
= ISO 9001 =
Certified site: Hamel, MN

USA

3800 County Road 116
Hamel, MN 55340, USA
Phone: (763) 478-8000
Fax: (763) 478-8080
Toll-Free: **1-800-328-2174**
sales@tolomatic.com
www.tolomatic.com

CHINA

**Tolomatic Automation Products
(Suzhou) Co. Ltd.**
(ServoWeld® inquiries only)
No. 60 Chuangye Street, Building 2
Huqiu District, SND Suzhou
Jiangsu 215011 - P.R. China
Phone: +86 (512) 6750-8506
Fax: +86 (512) 6750-8507
ServoWeldChina@tolomatic.com

EUROPE

Tolomatic Europe GmbH
Elisabethenstr. 20
65428 Rüsselsheim
Germany
Phone: +49 6142 17604-0
help@tolomatic.eu

All brand and product names are trademarks or registered trademarks of their respective owners. Information in this document is believed accurate at time of printing. However, Tolomatic assumes no responsibility for its use or for any errors that may

appear in this document. Tolomatic reserves the right to change the design or operation of the equipment described herein and any associated motion products without notice. Information in this document is subject to change without notice.

Visit www.tolomatic.com for the most up-to-date technical information